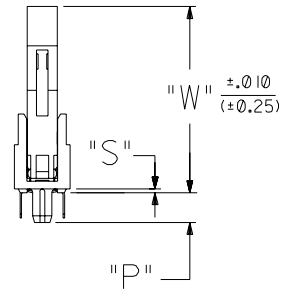


- NOTES:
- CARD SLOT ACCEPTS $.050 \pm .004$ (1.27 ± 0.10) MODULE THICKNESS. (MEASURED OVER P.C. PADS).
 - ALL PEGS ARE INTERFERENCE FITS TO PCB UNLESS NOTED ON THE DWG.
 - REFER TO PRODUCT SPEC PS-71243-9999 FOR PERFORMANCE SPECIFICATIONS.
 - PRODUCT IS PACKAGED IN TRAYS.
 - RECOMMENDED MODULE LAYOUT SHALL BE PER JEDEC MO-161.
 - RECOMMENDED PLATING ON MODULE PADS: 30 MICROINCH/(0.76 MICROMETER) MINIMUM HARD GOLD (Au) OVER 79 MICROINCH/(2.0 MICROMETER) MINIMUM NICKEL (Ni).
 - SEE CHART FOR HOLE SIZE AND PRESENCE AND PLATING OPTION.
 - PRODUCT WILL HAVE DATE CODE STAMPED ON SIDE OF HOUSING.

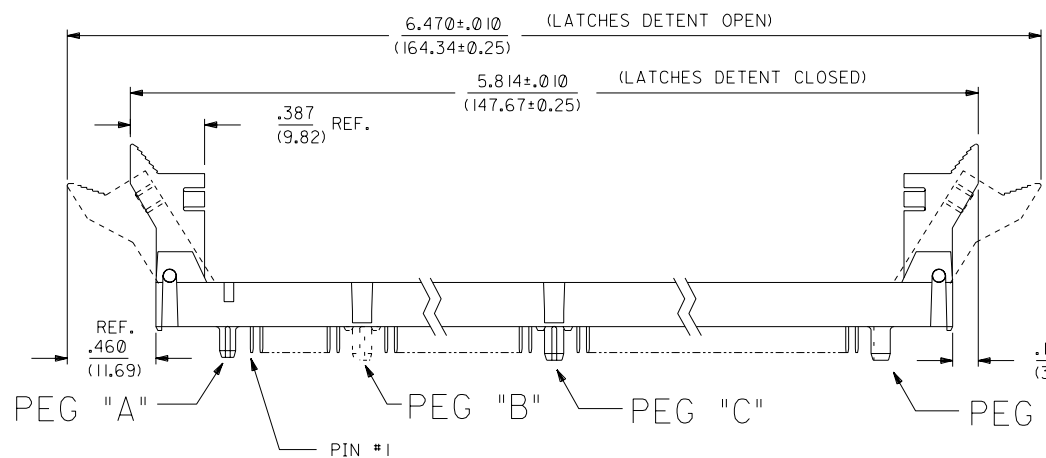
MATERIALS:
 HOUSING - GLASS FILLED LIQUID CRYSTAL POLYMER (LCP), UL 94V-0, COLOR: BLACK.
 TERMINAL - PHOSPHOR BRONZE
 LATCHES - GLASS FILLED HIGH TEMPERATURE NYLON, UL 94V-0, COLOR: IVORY.

PLATING:
 CONTACT AREA: OPTION A: GOLD (Au) FLASH; THICKNESS=2-10 MICROINCH/(0.05-0.25 (0.05-0.25 MICROMETER), OVER PALLADIUM-NICKEL (Pd-Ni); THICKNESS=30 MICROINCH/(0.76 MICROMETER) MINIMUM.
 OPTION B: GOLD (Au) FLASH; THICKNESS=2-10 MICROINCH/(0.05-0.25 MICROMETER), OVER PALLADIUM-NICKEL (Pd-Ni); THICKNESS=20 MICROINCH/(0.51 MICROMETER) MINIMUM.

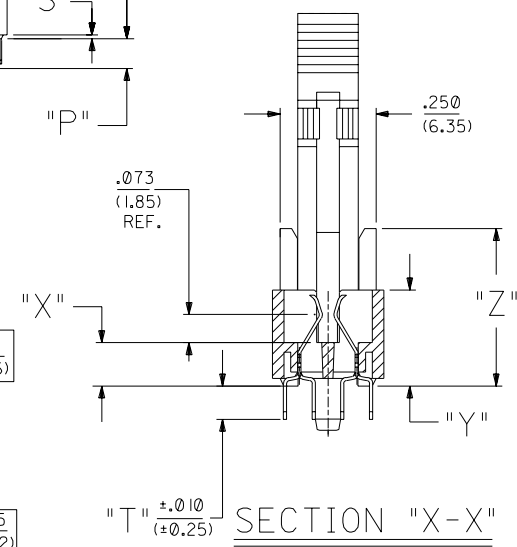
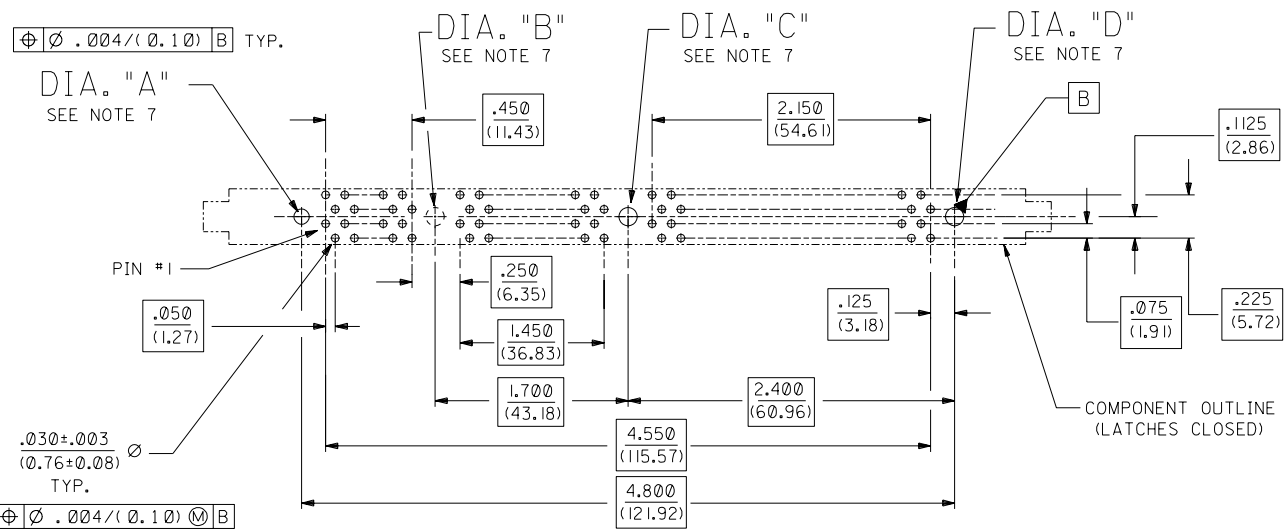
SOLDER TAILS: TIN (Sn); THICKNESS=150 MICROINCH/(3.81 MICROMETER) MINIMUM.
 UNDERPLATE: NICKEL (Ni) OVER ENTIRE CONTACT.



NOTE FOR LEAD FREE CONVERSION:
 THE PRIMARY SHIPPING CARTON WILL BE LABELED "COMPLIANT TO RoHS DIRECTIVE 2002/95/EC AND ELV ANNEX II OF DIRECTIVE 2000/53/EC". CARTONS WITHOUT THIS LABEL MAY CONTAIN PRODUCT WITH LEAD.



71251-0004 SHOWN



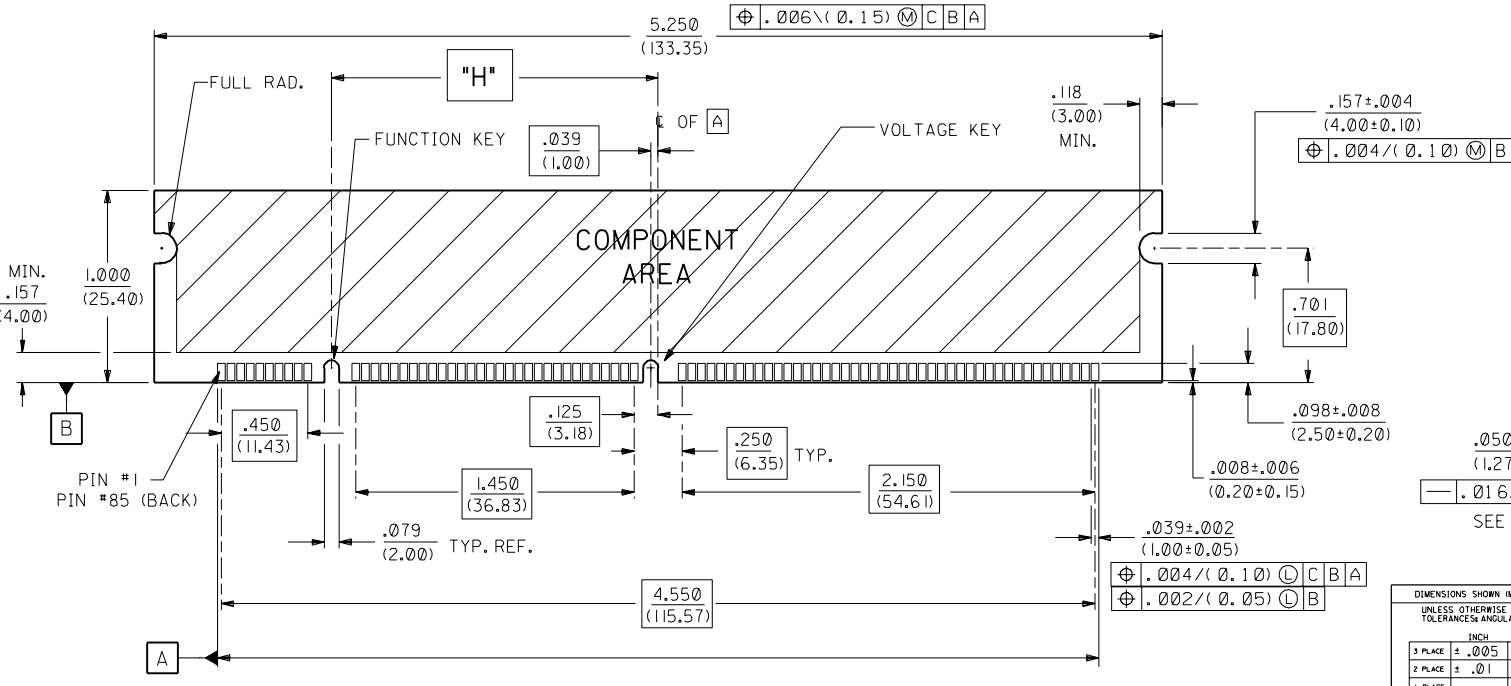
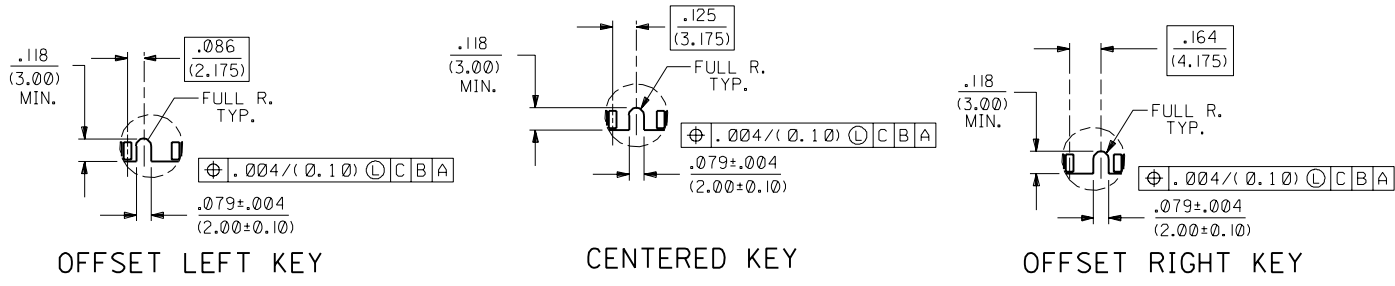
| | |
|----|---|
| H1 | ADD LEAD FREE NOTE ECR# UC2004-1732 DMORGAN 04/03/09 |
| H | RELEASE -0027 ECR# UD2000-1151 DMORGAN 00/05/19 |
| H | RELEASE -0027 ECR# UD2000-1151 DMORGAN 00/05/19 |
| G | CHG Sn-Pb THICKNESS ECR# UD1999-0454 DMORGAN 99/08/09 |
| F3 | REVISED PER ECR# U80435 97-8-8 LAURX |
| F2 | REVISED PER ECR# U71162 97-4-15 LAURX |
| F1 | REVISED PER ECR# U70361 96-10-9 LAURX |
| F | REVISED PER ECR# U61133 96-9-25 LAURX |
| E1 | REVISED PER ECR# U60836 1-19-96 JCL |
| E | REVISED PER ECR# U60682 12-7-95 JCL |
| D2 | REVISED PER ECR# U60452 10-10-95 JCL |
| D1 | REVISED PER ECR# U60361 9-18-95 JCL |
| D | REVISED PER ECR# U51288 8-4-95 JCL |

| | | | |
|---|------------|-----------------------------|------------------------------|
| DIMENSIONS SHOWN (METRIC) INCH UNLESS OTHERWISE SPECIFIED TOLERANCES: ANGULAR $\pm 1/2^\circ$ | | REVISE ONLY ON CAD SYSTEM | |
| 3 PLAGE $\pm .005$ | INCH | TITLE | |
| 2 PLAGE $\pm \dots \pm 0.13$ | METRIC | .050/(1.27) PITCH MULTI-KEY | |
| 1 PLAGE $\dots \pm 0.25$ | | 168 CKT DIMM RAM ASSY | |
| DRAFT WHERE APPLICABLE MUST REMAIN WITHIN DIMENSIONS | | 17.8mm LATCH SALES DWG | |
| DRWG. DCB | CHK'D. DCB | FILE NAME | SHEET NO. DATE |
| APP'D. DCB | SCALE 2:1 | ST125101 DGN | 60532 U.S.A. 1 OF 3 10/10/94 |
| SEE CHART | | SDA-71251-0*** | |
| THIS DRAWING CONTAINS INFORMATION THAT IS PROPRIETARY TO MOLEX INC. AND SHOULD NOT BE USED WITHOUT WRITTEN PERMISSION | | DIV. CP | SIZE |

| PART NUMBER | COLOR | DESCRIPTION | FUNCTION KEY | VOLTAGE KEY | DIA. "A" | DIA. "B" | DIA. "C" | DIA. "D" | DIM. "H" | DIM. "P" | DIM. "S" | DIM. "T" | DIM. "W" | DIM. "X" | DIM. "Y" | DIM. "Z" | CONTACT AREA PLATING |
|-------------|-------|----------------------|--------------|-------------|--------------------------|----------|--|--|------------------|----------------|----------------|----------------|-----------------|----------------|----------------|-----------------|----------------------|
| 71251-0001 | BLACK | 3.3 VOLT STD DRAM | CENTER | CENTER | .080±.002 (2.03±0.05) | NONE | .093 +.003/-0.000 (2.36+0.08/-0.00) | .093 +.003/-0.000 (2.36+0.08/-0.00) | 1.700 (43.18) | .155 (3.94) | .020 (0.51) | .127 (3.23) | .970 (24.64) | .113 (2.87) | .250 (6.35) | .410 (10.41) | OPTION A |
| 71251-0004 | BLACK | 5.0 VOLT STD DRAM | CENTER | OFFSET LEFT | .080±.002 (2.03±0.05) | NONE | .093 +.003/-0.000 (2.36+0.08/-0.00) | .093 +.003/-0.000 (2.36+0.08/-0.00) | 1.700 (43.18) | .155 (3.94) | .020 (0.51) | .127 (3.23) | .970 (24.64) | .113 (2.87) | .250 (6.35) | .410 (10.41) | OPTION A |
| 71251-0012 | BLACK | 3.3 VOLT UNBUFFERED | OFFSET RIGHT | CENTER | .080±.002 (2.03±0.05) | NONE | .093 +.003/-0.000 (2.36+0.08/-0.00) | .093 +.003/-0.000 (2.36+0.08/-0.00) | 1.661 (42.19) | .155 (3.94) | .020 (0.51) | .127 (3.23) | .970 (24.64) | .113 (2.87) | .250 (6.35) | .410 (10.41) | OPTION A |
| 71251-0013 | BLACK | 5.0 VOLT UNBUFFERED | OFFSET RIGHT | OFFSET LEFT | .080±.002 (2.03±0.05) | NONE | .093 +.003/-0.000 (2.36+0.08/-0.00) | .093 +.003/-0.000 (2.36+0.08/-0.00) | 1.661 (42.19) | .155 (3.94) | .020 (0.51) | .127 (3.23) | .970 (24.64) | .113 (2.87) | .250 (6.35) | .410 (10.41) | OPTION A |
| 71251-0016 | BLACK | 3.3 VOLT SYNCHRONOUS | OFFSET LEFT | CENTER | .080±.002 (2.03±0.05) | NONE | .093 +.003/-0.000 (2.36+0.08/-0.00) | .093 +.003/-0.000 (2.36+0.08/-0.00) | 1.739 (44.17) | .155 (3.94) | .020 (0.51) | .127 (3.23) | .970 (24.64) | .113 (2.87) | .250 (6.35) | .410 (10.41) | OPTION A |
| 71251-0017 | BLACK | 5.0 VOLT SYNCHRONOUS | OFFSET LEFT | OFFSET LEFT | .080±.002 (2.03±0.05) | NONE | .093 +.003/-0.000 (2.36+0.08/-0.00) | .093 +.003/-0.000 (2.36+0.08/-0.00) | 1.739 (44.17) | .155 (3.94) | .020 (0.51) | .127 (3.23) | .970 (24.64) | .113 (2.87) | .250 (6.35) | .410 (10.41) | OPTION A |

NOTES:

1. STRAIGHTNESS OF MODULE APPLIES TO THE AREA FROM THE BOTTOM OF THE CARD UP .157/(4.00).
2. IF TIE BARS ARE ATTACHED TO PADS, THE TIE BAR SHOULD BE ON AN INTERNAL LAYER, SO THAT THE REMNANT CANNOT CAUSE DAMAGE TO THE CONTACTS.



RECOMMENDED MODULE LAYOUT
168 CKT 5.0V DRAM SHOWN

| | |
|----|-------------|
| F3 | SEE SHEET I |
| F2 | SEE SHEET I |
| F1 | SEE SHEET I |
| F | SEE SHEET I |
| E1 | SEE SHEET I |
| E | SEE SHEET I |
| D2 | SEE SHEET I |
| D1 | SEE SHEET I |
| D | SEE SHEET I |
| C | SEE SHEET I |
| B1 | SEE SHEET I |
| B | SEE SHEET I |
| A | SEE SHEET I |

| | | | |
|--|--------|--|----------|
| DIMENSIONS SHOWN (METRIC) INCH UNLESS OTHERWISE SPECIFIED TOLERANCES ANGULAR ± 1/2° | | TITLE .050/(.127) PITCH MULTI-KEY 168 CKT DIMM RAM ASSY 17.8mm LATCH SALES DWG. | |
| 3 PLACE ± .005 | INCH | DATE | 10/10/94 |
| 2 PLACE ± .01 | METRIC | SHEET NO. | 2 |
| 1 PLACE --- ± 0.25 | | | |
| DRAFT WHERE APPLICABLE MUST REMAIN WITHIN DIMENSIONS | | MFG. SH. REV. LTR. REVISIONS | |
| DRAWN BY: DCB | | PART NO. SDA-71251-0... | |
| CHECKED BY: DCB | | FILE NAME: ST 25102 | |
| APPROVED BY: DCB | | SCALE: 2:1 | |
| THIS DRAWING CONTAINS INFORMATION THAT IS PROPRIETARY TO MOLEX INC. AND SHOULD NOT BE USED WITHOUT WRITTEN PERMISSION. | | DIV. CP | |

| 13 | | 12 | | 11 | | 10 | | 9 | | 8 | | 7 | | 6 | | 71251 | | 4 | | 3 | | 2 | | 1 | |
|-------------|-------|----------------------|--------------|-------------|--|--|--|--|---------------|-------------|-------------|-------------|--------------|-------------|-------------|--------------|----------------------|----------|--|---|--|---|--|---|--|
| PART NUMBER | COLOR | DESCRIPTION | FUNCTION KEY | VOLTAGE KEY | DIA. "A" | DIA. "B" | DIA. "C" | DIA. "D" | DIM. "H" | DIM. "P" | DIM. "S" | DIM. "T" | DIM. "W" | DIM. "X" | DIM. "Y" | DIM. "Z" | CONTACT AREA PLATING | | | | | | | | |
| 71251-0001 | BLACK | 3.3 VOLT STD DRAM | SEE SHEET 2 | | | | | | | | | | | | | | | OPTION A | | | | | | | |
| 71251-0002 | BLACK | 3.3 VOLT STD DRAM | CENTER | CENTER | NONE | $\frac{.093 + .003/-0.000}{(2.36+0.08/-0.00)}$ | $\frac{.093 + .003/-0.000}{(2.36+0.08/-0.00)}$ | NONE | 1.700 (43.18) | .155 (3.94) | .020 (0.51) | .127 (3.23) | .970 (24.64) | .113 (2.87) | .250 (6.35) | .410 (10.41) | OPTION A | | | | | | | | |
| 71251-0003 | BLACK | 5.0 VOLT STD DRAM | CENTER | OFFSET LEFT | NONE | $\frac{.093 + .003/-0.000}{(2.36+0.08/-0.00)}$ | $\frac{.093 + .003/-0.000}{(2.36+0.08/-0.00)}$ | NONE | 1.700 (43.18) | .155 (3.94) | .020 (0.51) | .127 (3.23) | .970 (24.64) | .113 (2.87) | .250 (6.35) | .410 (10.41) | OPTION A | | | | | | | | |
| 71251-0004 | BLACK | 5.0 VOLT STD DRAM | SEE SHEET 2 | | | | | | | | | | | | | | OPTION A | | | | | | | | |
| 71251-0005 | BLACK | 5.0 VOLT UNBUFFERED | OFFSET RIGHT | OFFSET LEFT | $\frac{.080 \pm .002}{(2.03 \pm 0.05)}$ | NONE | NONE | $\frac{.080 \pm .002}{(2.03 \pm 0.05)}$ | 1.661 (42.19) | .125 (3.18) | .035 (0.89) | .102 (2.59) | .985 (25.02) | .128 (3.25) | .265 (6.73) | .425 (10.79) | OPTION A | | | | | | | | |
| 71251-0006 | BLACK | 5.0 VOLT STD DRAM | CENTER | OFFSET LEFT | $\frac{.080 \pm .002}{(2.03 \pm 0.05)}$ | NONE | $\frac{.093 + .003/-0.000}{(2.36+0.08/-0.00)}$ | $\frac{.080 \pm .002}{(2.03 \pm 0.05)}$ | 1.700 (43.18) | .155 (3.94) | .020 (0.51) | .127 (3.23) | .970 (24.64) | .113 (2.87) | .250 (6.35) | .410 (10.41) | OPTION A | | | | | | | | |
| 71251-0007 | BLACK | 3.3 VOLT STD DRAM | CENTER | CENTER | $\frac{.080 \pm .002}{(2.03 \pm 0.05)}$ | NONE | $\frac{.080 \pm .002}{(2.03 \pm 0.05)}$ | $\frac{.080 \pm .002}{(2.03 \pm 0.05)}$ | 1.700 (43.18) | .140 (3.56) | .020 (0.51) | .127 (3.23) | .970 (24.64) | .113 (2.87) | .250 (6.35) | .410 (10.41) | OPTION A | | | | | | | | |
| 71251-0008 | BLACK | 5.0 VOLT STD DRAM | CENTER | OFFSET LEFT | NONE | $\frac{.093 + .003/-0.000}{(2.36+0.08/-0.00)}$ | $\frac{.093 + .003/-0.000}{(2.36+0.08/-0.00)}$ | $\frac{.093 + .003/-0.000}{(2.36+0.08/-0.00)}$ | 1.700 (43.18) | .155 (3.94) | .020 (0.51) | .127 (3.23) | .970 (24.64) | .113 (2.87) | .250 (6.35) | .410 (10.41) | OPTION A | | | | | | | | |
| 71251-0009 | BLACK | 5.0 VOLT STD DRAM | CENTER | OFFSET LEFT | $\frac{.080 \pm .002}{(2.03 \pm 0.05)}$ | NONE | NONE | $\frac{.080 \pm .002}{(2.03 \pm 0.05)}$ | 1.700 (43.18) | .125 (3.18) | .035 (0.89) | .102 (2.59) | .985 (25.02) | .128 (3.25) | .265 (6.73) | .425 (10.79) | OPTION A | | | | | | | | |
| 71251-0010 | BEIGE | 3.3 VOLT STD DRAM | CENTER | CENTER | $\frac{.080 \pm .002}{(2.03 \pm 0.05)}$ | NONE | NONE | $\frac{.080 \pm .002}{(2.03 \pm 0.05)}$ | 1.700 (43.18) | .125 (3.18) | .035 (0.89) | .112 (2.84) | .985 (25.02) | .128 (3.25) | .265 (6.73) | .425 (10.79) | OPTION A | | | | | | | | |
| 71251-0011 | BLACK | 3.3 VOLT STD DRAM | CENTER | CENTER | $\frac{.093 + .003/-0.000}{(2.36+0.08/-0.00)}$ | NONE | $\frac{.093 + .003/-0.000}{(2.36+0.08/-0.00)}$ | $\frac{.093 + .003/-0.000}{(2.36+0.08/-0.00)}$ | 1.700 (43.18) | .155 (3.94) | .020 (0.51) | .127 (3.23) | .970 (24.64) | .113 (2.87) | .250 (6.35) | .410 (10.41) | OPTION A | | | | | | | | |
| 71251-0012 | BLACK | 3.3 VOLT UNBUFFERED | SEE SHEET 2 | | | | | | | | | | | | | | OPTION A | | | | | | | | |
| 71251-0013 | BLACK | 5.0 VOLT UNBUFFERED | SEE SHEET 2 | | | | | | | | | | | | | | OPTION A | | | | | | | | |
| 71251-0014 | BLACK | 3.3 VOLT UNBUFFERED | OFFSET RIGHT | CENTER | $\frac{.080 \pm .002}{(2.03 \pm 0.05)}$ | NONE | NONE | $\frac{.080 \pm .002}{(2.03 \pm 0.05)}$ | 1.661 (42.19) | .125 (3.18) | .035 (0.89) | .112 (2.84) | .985 (25.02) | .128 (3.25) | .265 (6.73) | .425 (10.79) | OPTION A | | | | | | | | |
| 71251-0015 | BLACK | 3.3 VOLT STD DRAM | CENTER | CENTER | $\frac{.080 \pm .002}{(2.03 \pm 0.05)}$ | NONE | $\frac{.093 + .003/-0.000}{(2.36+0.08/-0.00)}$ | $\frac{.093 + .003/-0.000}{(2.36+0.08/-0.00)}$ | 1.700 (43.18) | .155 (3.94) | .020 (0.51) | .117 (2.97) | .970 (24.64) | .113 (2.87) | .250 (6.35) | .410 (10.41) | OPTION A | | | | | | | | |
| 71251-0016 | BLACK | 3.3 VOLT SYNCHRONOUS | SEE SHEET 2 | | | | | | | | | | | | | | OPTION A | | | | | | | | |
| 71251-0017 | BLACK | 5.0 VOLT SYNCHRONOUS | SEE SHEET 2 | | | | | | | | | | | | | | OPTION A | | | | | | | | |
| 71251-0018 | BLACK | 3.3 VOLT UNBUFFERED | OFFSET RIGHT | CENTER | $\frac{.093 + .003/-0.000}{(2.36+0.08/-0.00)}$ | NONE | $\frac{.093 + .003/-0.000}{(2.36+0.08/-0.00)}$ | $\frac{.093 + .003/-0.000}{(2.36+0.08/-0.00)}$ | 1.661 (42.19) | .140 (3.56) | .035 (0.89) | .102 (2.59) | .985 (25.02) | .128 (3.25) | .265 (6.73) | .425 (10.79) | OPTION A | | | | | | | | |
| 71251-0019 | BLACK | 5.0 VOLT STD DRAM | CENTER | OFFSET LEFT | NONE | $\frac{.093 + .003/-0.000}{(2.36+0.08/-0.00)}$ | $\frac{.093 + .003/-0.000}{(2.36+0.08/-0.00)}$ | NONE | 1.700 (43.18) | .155 (3.94) | .020 (0.51) | .127 (3.23) | .970 (24.64) | .113 (2.87) | .250 (6.35) | .410 (10.41) | OPTION B | | | | | | | | |
| 71251-0020 | BLACK | 3.3 VOLT STD DRAM | CENTER | CENTER | $\frac{.080 \pm .002}{(2.03 \pm 0.05)}$ | NONE | $\frac{.080 \pm .002}{(2.03 \pm 0.05)}$ | $\frac{.080 \pm .002}{(2.03 \pm 0.05)}$ | 1.700 (43.18) | .140 (3.56) | .020 (0.51) | .127 (3.23) | .970 (24.64) | .113 (2.87) | .250 (6.35) | .410 (10.41) | OPTION B | | | | | | | | |
| 71251-0021 | BLACK | 3.3 VOLT STD DRAM | CENTER | CENTER | $\frac{.080 \pm .002}{(2.03 \pm 0.05)}$ | NONE | $\frac{.093 + .003/-0.000}{(2.36+0.08/-0.00)}$ | $\frac{.093 + .003/-0.000}{(2.36+0.08/-0.00)}$ | 1.700 (43.18) | .155 (3.94) | .020 (0.51) | .127 (3.23) | .970 (24.64) | .113 (2.87) | .250 (6.35) | .410 (10.41) | OPTION B | | | | | | | | |
| 71251-0022 | BLACK | 3.3 VOLT UNBUFFERED | OFFSET RIGHT | CENTER | $\frac{.080 \pm .002}{(2.03 \pm 0.05)}$ | NONE | $\frac{.093 + .003/-0.000}{(2.36+0.08/-0.00)}$ | $\frac{.093 + .003/-0.000}{(2.36+0.08/-0.00)}$ | 1.661 (42.19) | .155 (3.94) | .020 (0.51) | .127 (3.23) | .970 (24.64) | .113 (2.87) | .250 (6.35) | .410 (10.41) | OPTION B | | | | | | | | |
| 71251-0023 | BLACK | 3.3 VOLT UNBUFFERED | OFFSET RIGHT | CENTER | $\frac{.080 \pm .002}{(2.03 \pm 0.05)}$ | NONE | NONE | $\frac{.080 \pm .002}{(2.03 \pm 0.05)}$ | 1.661 (42.19) | .125 (3.18) | .035 (0.89) | .102 (2.59) | .985 (25.02) | .128 (3.25) | .265 (6.73) | .425 (10.79) | OPTION A | | | | | | | | |
| 71251-0024 | BLACK | 3.3 VOLT UNBUFFERED | OFFSET RIGHT | CENTER | $\frac{.080 \pm .002}{(2.03 \pm 0.05)}$ | NONE | $\frac{.093 + .003/-0.000}{(2.36+0.08/-0.00)}$ | $\frac{.093 + .003/-0.000}{(2.36+0.08/-0.00)}$ | 1.661 (42.19) | .155 (3.94) | .020 (0.51) | .105 (2.67) | .970 (24.64) | .113 (2.87) | .250 (6.35) | .410 (10.41) | OPTION A | | | | | | | | |
| 71251-0026 | BEIGE | 3.3 VOLT STD DRAM | CENTER | CENTER | $\frac{.080 \pm .002}{(2.03 \pm 0.05)}$ | NONE | NONE | $\frac{.080 \pm .002}{(2.03 \pm 0.05)}$ | 1.700 (43.18) | .125 (3.18) | .035 (0.89) | .090 (2.29) | .985 (25.02) | .128 (3.25) | .265 (6.73) | .425 (10.79) | OPTION A | | | | | | | | |
| 71251-0027 | BLACK | 3.3 VOLT SYNCHRONOUS | OFFSET LEFT | CENTER | NONE | $\frac{.093 + .003/-0.000}{(2.36+0.08/-0.00)}$ | $\frac{.093 + .003/-0.000}{(2.36+0.08/-0.00)}$ | NONE | 1.739 (44.17) | .155 (3.94) | .020 (0.51) | .127 (3.23) | .970 (24.64) | .113 (2.87) | .250 (6.35) | .410 (10.41) | OPTION A | | | | | | | | |

| | | | | | | | | | | | | | | | | | | | |
|---|--|--|--|--|--|--|--|--|--|---|--|--|--|--|--|--|--|--|--|
| DIMENSIONS SHOWN (METRIC) INCH UNLESS OTHERWISE SPECIFIED TOLERANCES ANGULAR ± 1/2° | | | | | | | | | | REVISE ONLY ON CAD SYSTEM | | | | | | | | | |
| INCH METRIC | | | | | | | | | | TITLE .050/(1.27) PITCH MULTI-KEY 168 CKT DIMM RAM ASSY 17.8mm LATCH SALES DWG. | | | | | | | | | |
| 3 PLACE ± .005 | | | | | | | | | | DATE 12/07/95 | | | | | | | | | |
| 2 PLACE ± .01 ± 0.13 | | | | | | | | | | MOLEX INCORPORATED SHEET NO. 3 | | | | | | | | | |
| 1 PLACE --- ± 0.25 | | | | | | | | | | U.S.A. 60532 | | | | | | | | | |
| DRAFT WHERE APPLICABLE MUST REMAIN WITHIN DIMENSIONS | | | | | | | | | | PART NO. SEE CHART | | | | | | | | | |
| DRAWN BY DCB | | | | | | | | | | DRWG. NO. SDA-71251-0-000 | | | | | | | | | |
| CHECKED BY DCB | | | | | | | | | | FILE NAME ST 05 03 95 | | | | | | | | | |
| APPROVED BY DCB | | | | | | | | | | SCALE 2: 1 | | | | | | | | | |
| L.T.R. REVISIONS | | | | | | | | | | L.T.R. REVISIONS | | | | | | | | | |